

COLIN



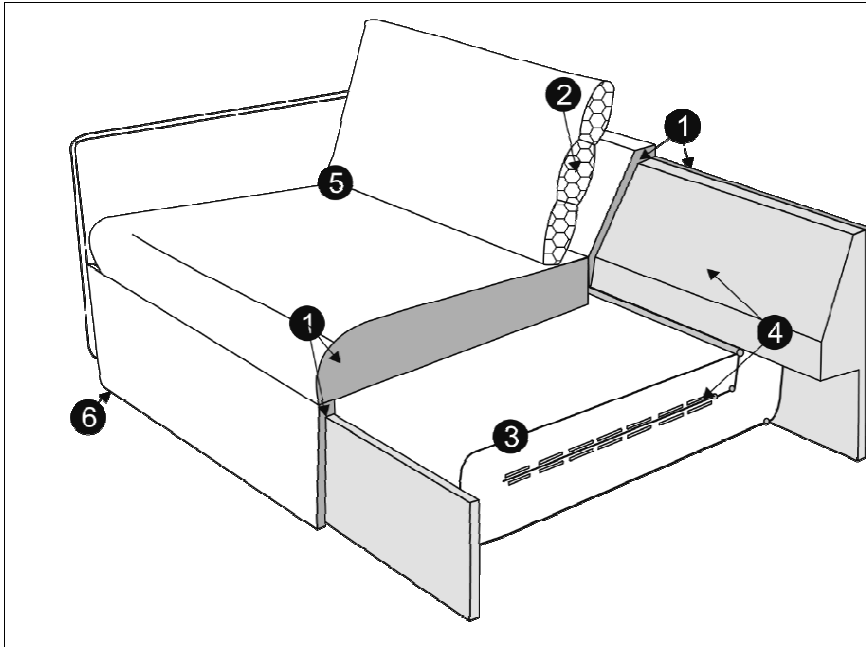
SITS

design: Bottcher&Kaiser

**TECHNICAL SPECIFICATION**

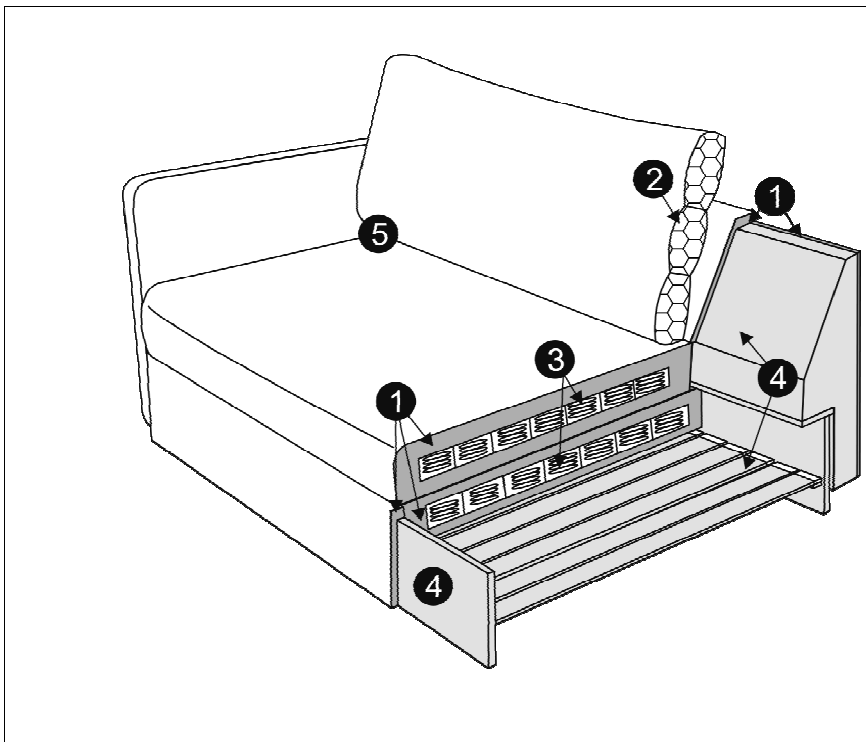
**PROFILE**

COMFORT: Version A standard



1	polyurethane foam/ high resilient polyurethane foam
2	silicone balls
3	foam mattress
4	solid wood and wood based elements
5	fabric
6	solid wood legs

COMFORT: Version B rich



1	polyurethane foam/ high resilient polyurethane foam
2	silicone balls
3	pocket springs mattress
4	solid wood and wood based elements
5	fabric

The producer reserves the right to change construction of products and compnents used due to improving durability of product and customer satisfaction without any further notice.

**UPHOLSTERY:**

fabric: FC - fix cover, COMFORT: STD - standard; RICH - rich

COLIN

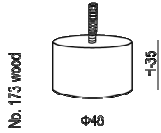


SITS

design: Bottcher&Kaiser

## TECHNICAL SPECIFICATION

### FEET



### COLOURS OF WOODEN FEET

oak



bleached oak



walnut



dark brown



black



### PHOTOS

version A



Total sofa ver. A depth after spread: 186 cm

version B



Total sofa ver. B depth after spread: 140 cm

### MATTRESS

#### FOAM MATTRESS

reversible  
foam HR 35 kg  
cover: fabric PES 100% + non-woven 220 g , quilted  
height 10 cm



### MECHANISM ver. A

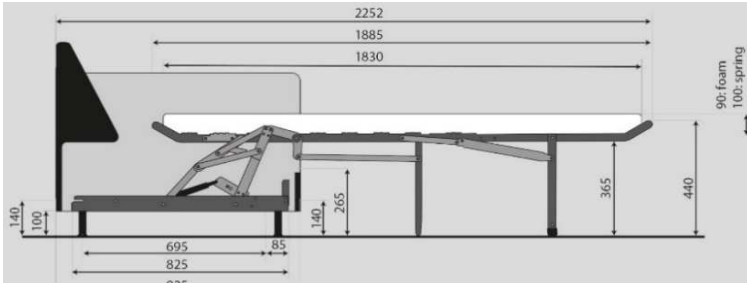
COLIN

SITS

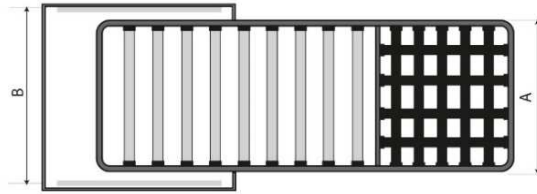


design: Bottcher&Kaiser

TECHNICAL SPECIFICATION



A	B	Width of mattress
150 cm	162,5 cm	143 cm



Measurements in mm

COLIN

SITS



design: Bottcher&Kaiser

**Sales pricelist 2022**

UPHOLSTERY: fabric: FC - fix cover COMFORT: STD - standard; RICH - rich  
MATTRESS: foam or bonell

Currency: EUR

Valid from: 01.04.2022

DIMENSION* with leg 141a H-150mm	DESCRIPTION ARTICLE No	VOL.	WEIGHT	FABRIC USAGE	I	II	III	IV	E
-------------------------------------	---------------------------	------	--------	-----------------	---	----	-----	----	---

179x95x80/47	sofa bed version A (bed surface: 145 x 186)									
	FC	E1585-0340-2S	1,15	95	8,1	803 600	857 500	906 500	955 500	1 195 600

215x92x80/44	sofa bed version B (bed surface: 140 x 200)									
	FC	E1585-0440-2R	1,24	97	10,0	739 900	798 700	862 400	916 300	1 151 500

\*Explicit +/- 2 cm tolerance of all elements sizes