

FELIX

SITS
— comfortable life

home&family



design: SITS

TECHNICAL SPECIFICATION

PROFILE

COMFORT: standard

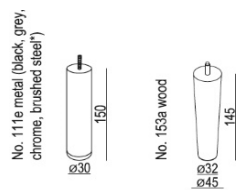
	1	polyurethane foam/ high resilient polyurethane foam
	2	silicone balls
	3	metal mechanism with polyurethane foam or bonnell springs mattress
	4	solid wood and wood based elements
	5	fabric
	6	solid wood legs or metal legs

The producer reserves the right to change construction of products and compnents used due to improving durability of product and customer satisfaction without any further notice.

UPHOLSTERY:

fabric: FC - fix cover, COMFORT: STD - standard MATTRESS: foam or bonell

FEET



RECOMMENDED

COLOURS OF WOODEN FEET



PHOTOS



FELIX

SITS
— comfortable life

home&family

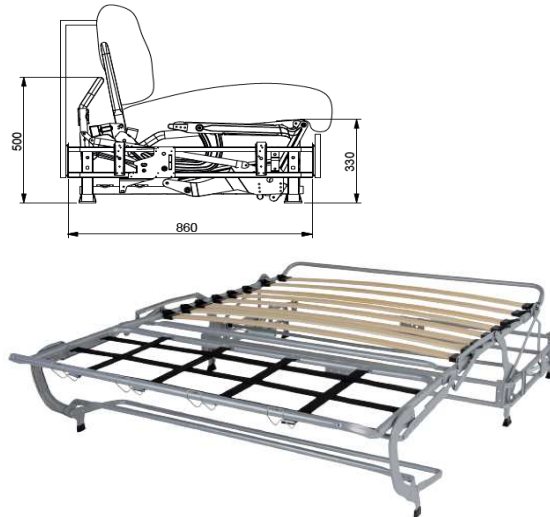
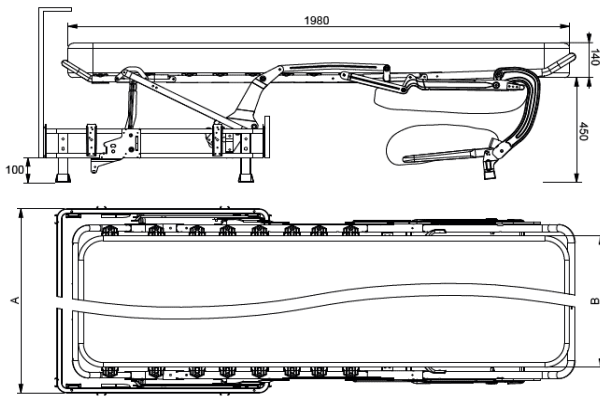


design: SITS

TECHNICAL SPECIFICATION

Total sofa depth after spread: 212 cm

MECHANISM



REF	A	B/Matress
182/160	182 cm	160 cm
162/140	162 cm	140 cm
102/80	102 cm	80 cm

MATTRESS

FOAM MATTRESS

foam HR 30 kg / non-reversible
Cover top: 100% PE, 180 g/m³
Cover bottom: 73% PE, 27% PP, 116g/m³
height 14 cm



SPRING MATTRESS

Reversible
springs biconical 2,2mm / height 9 cm
cover top and bottom: 73% PE, 27% PP, non woven fabric stitched FR flet 750g/m³
height 14 cm



FELIX

SITS
— comfortable life

home&family



design: SITS

Sales pricelist 2022

UPHOLSTERY: fabric: FC - fix cover COMFORT: STD - standard
MATTRESS: foam or bonell

currency: EUR

Valid from: 01.04.2022

DIMENSION* with legs 111d H-150cm	DESCRIPTION ARTICLE No	VOL.	WEIGHT	FABRIC USAGE	I	II	III	IV	E	
<p>201x99x88/50</p> <p>4 seater sofa bed (bed surface: 160 x 200 x H:63cm)</p>	FC	E1546-0840-2S	1,54	108	8,3	950 600	999 600	1 058 400	1 107 400	1 372 000
<p>181x99x88/50</p> <p>3 seater sofa bed (bed surface: 140 x 200 x H:63cm)</p>	FC	E1546-0440-2S	1,37	101	7,7	877 100	916 300	970 200	1 019 200	1 274 000
<p>122x99x88/50</p> <p>armchair sofa bed (bed surface: 80 x 200 x H:63cm)</p>	FC	E1546-0040-2S	0,79	61	5,8	715 400	759 500	793 800	833 000	911 400
65x20	armrest protection / set of 2									

FELIX

SITS
— comfortable life

home&family



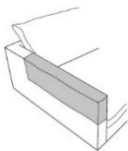
design: SITS

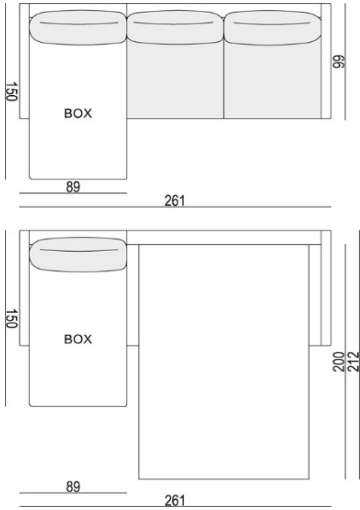
Sales pricelist 2022

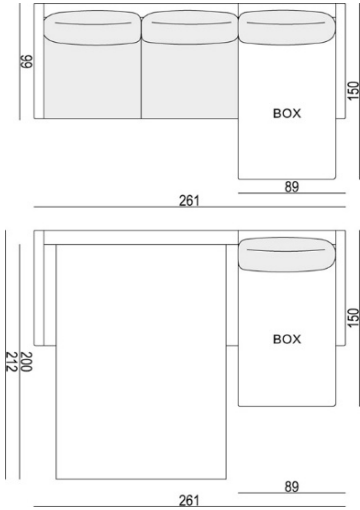
UPHOLSTERY: fabric: FC - fix cover COMFORT: STD - standard
MATTRESS: foam or bonell

currency: EUR

Valid from: 01.04.2022

DIMENSION* with legs 111d H-150cm	DESCRIPTION ARTICLE No	VOL.	WEIGHT	FABRIC USAGE	I	II	III	IV	E
	LC E1546-1900-0	0,10	1	0,8	44 100	53 900	58 800	63 700	88 200

261/150x99x88/50	SET 1 left - 3 seater sofa bed r. + chaiselongue box l. (bed surface: 140x200xH:63cm)									
	FC	E1546-5433-2S	2,24	135	11,9	1 234 800	1 318 100	1 396 500	1 470 000	1 646 400

261/150x99x88/50	SET 1 right - 3 seater sofa bed l. + chaiselongue box r. (bed surface: 140x200xH:63cm)									
	FC	E1546-5432-2S	2,24	135	11,9	1 234 800	1 318 100	1 396 500	1 470 000	1 646 400

291/150x99x88/50	SET 2 left - 4 seater sofa bed r. + chaiselongue box l. (bed surface: 160x200xH:63cm)								
------------------	---	--	--	--	--	--	--	--	--

FELIX



SITS
— comfortable life

home&family

design: SITS

Sales pricelist 2022

UPHOLSTERY: fabric: FC - fix cover COMFORT: STD - standard
MATTRESS: foam or bonell

currency: EUR

Valid from: 01.04.2022

DIMENSION* with legs 111d H-150cm	DESCRIPTION ARTICLE No	VOL.	WEIGHT	FABRIC USAGE	I	II	III	IV	E
	FC E1546-5999-2S	2,50	150	12,8	1 318 100	1 406 300	1 499 400	1 572 900	1 764 000

291/150x99x88/50	SET 2 right - 4 seater sofa bed l. + chaiselongue box r. (bed surface: 160x200xH:63cm)								
	FC E1546-5998-2S	2,50	150	12,8	1 318 100	1 406 300	1 499 400	1 572 900	1 764 000

Total sofa depth after spread: 212 cm. BOX in set 1 - 122x74,5x15 / vol 0,14 m3, BOX in SET 2 - 122x84,5x15 / vol 0,16 m3

*Explicit +/- 2 cm tolerance of all elements sizes