

SIGGE
standard



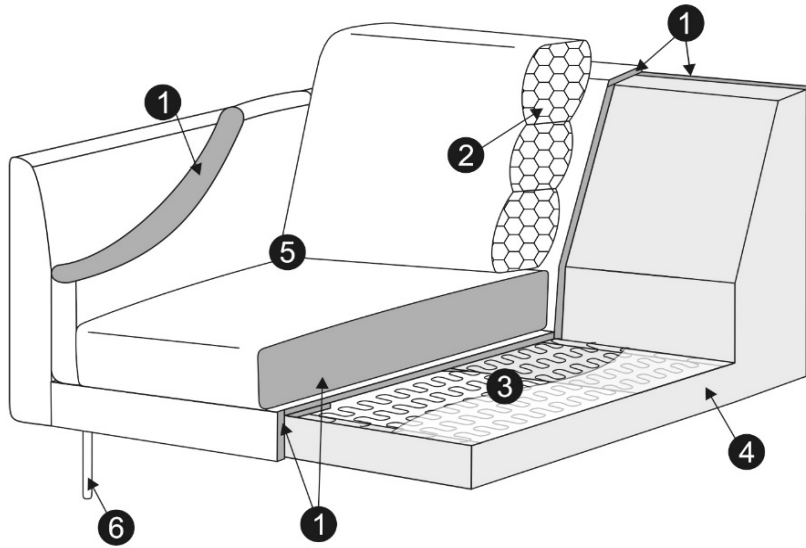
SITS

design: Steven Schilte

TECHNICAL SPECIFICATION

PROFILE

COMFORT: standard



1	polyurethane foam/ high resilient polyurethane foam
2	silicone balls
3	springs
4	solid wood and wood based elements
5	fabric
6	metal (black, chrome) or solid wood legs

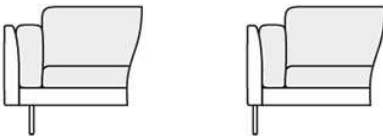
The producer reserves the right to change construction of products and components used due to improving durability of product and customer satisfaction without any further notice.

UPHOLSTERY:

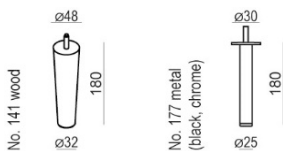
fabric: FC - fix cover or LCV - loose cover with velcro COMFORT: standard or lux
leather: FC - fix cover COMFORT: standard or lux

TWO OPTIONS TO PLACE THE FEET

THERE ARE 2 OPTIONS TO PLACE THE LEGS:
under frame under armrest



FEET



COLOURS OF WOODEN FEET

oak



bleached
oak



walnut



black





Sales Pricelist 2024

UPHOLSTERY: fabric: FC - fix cover or LCV - loose cover with velcro COMFORT: STD - stand Currency: EUR Valid from: 01.02.2024

DIMENSION*	DESCRIPTION ARTICLE No	VOL.	WEIGHT	FABRIC USAGE	I	II	III	IV	E	
	3,5 seater divided									
	FC	E1496-0700-2S	1,53	77	11,7	906 750	967 200	1 046 250	1 111 350	1 367 100
	LCV	E1496-0700-4S	1,53	77	11,7	985 800	1 060 200	1 129 950	1 209 000	1 497 300
	COVER	E0496-0700-4	0,04	7	11,7	455 700	483 600	525 450	548 700	669 600
	3,5 seater									
	FC	E1496-0600-2S	1,53	77	11,7	855 600	920 700	995 100	1 060 200	1 320 600
	LCV	E1496-0600-4S	1,53	77	11,7	939 300	1 009 050	1 078 800	1 162 500	1 446 150
	COVER	E0496-0600-4	0,04	7	11,7	325 500	348 750	372 000	399 900	492 900
	3 seater									
	FC	E1496-0400-2S	1,31	67	10,2	757 950	818 400	874 200	939 300	1 162 500
	LCV	E1496-0400-4S	1,31	67	10,2	832 350	897 450	957 900	1 023 000	1 274 100
	COVER	E0496-0400-4	0,04	6	10,2	362 700	385 950	413 850	441 750	544 050
	2 seater									
	FC	E1496-0200-2S	1,13	58	9,2	688 200	744 000	799 800	846 300	1 060 200
	LCV	E1496-0200-4S	1,13	58	9,2	753 300	813 750	869 550	934 650	1 162 500
	COVER	E0496-0200-4	0,04	6	9,2	325 500	348 750	372 000	399 900	492 900
	headrest 50/15 with roll (foam filling)									
	LCV	E1826-1550-4	0,17	2	1,1	74 400	74 400	79 050	88 350	102 300
	COVER	E0826-1550-4	0,10	1	1,1	74 400	74 400	79 050	88 350	102 300
elements for building sets:										
	3,5 seater left									
	FC	E1496-0620-2S	1,39	70	9,6	618 450	669 600	711 450	771 900	948 600
	LCV	E1496-0620-4S	1,39	70	9,6	674 250	730 050	781 200	837 000	1 041 600
	COVER	E0496-0620-4	0,04	6	9,6	292 950	320 850	334 800	362 700	441 750
	3,5 seater right									
	FC	E1496-0610-2S	1,39	70	9,6	618 450	669 600	711 450	771 900	948 600
	LCV	E1496-0610-4S	1,39	70	9,6	674 250	730 050	781 200	837 000	1 041 600
	COVER	E0496-0610-4	0,04	6	9,6	292 950	320 850	334 800	362 700	441 750
	3,5 seater without armrests									
	FC	E1496-0630-2S	1,24	63	7,7	585 900	637 050	678 900	720 750	902 100
	LCV	E1496-0630-4S	1,24	63	7,7	646 350	688 200	744 000	790 500	985 800
	COVER	E0496-0630-4	0,04	5	7,7	283 650	297 600	325 500	344 100	427 800



Sales Pricelist 2024

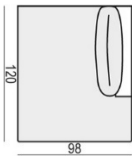
UPHOLSTERY: fabric: FC - fix cover or LCV - loose cover with velcro COMFORT: STD - stand Currency: EUR Valid from: 01.02.2024

DIMENSION*	DESCRIPTION ARTICLE No	VOL.	WEIGHT	FABRIC USAGE	I	II	III	IV	E	
183x98x80/43	3 seater left									
	FC	E1496-0420-2S	1,17	60	8,1	618 450	669 600	711 450	771 900	948 600
	LCV	E1496-0420-4S	1,17	60	8,1	674 250	730 050	781 200	837 000	1 041 600
	COVER	E0496-0420-4	0,04	5	8,1	292 950	320 850	334 800	362 700	441 750
183x98x80/43	3 seater right									
	FC	E1496-0410-2S	1,17	60	8,1	618 450	669 600	711 450	771 900	948 600
	LCV	E1496-0410-4S	1,17	60	8,1	674 250	730 050	781 200	837 000	1 041 600
	COVER	E0496-0410-4	0,04	5	8,1	292 950	320 850	334 800	362 700	441 750
160x98x80/43	3 seater without armrests									
	FC	E1496-0430-2S	1,02	53	5,6	478 950	525 450	544 050	576 600	716 100
	LCV	E1496-0430-4S	1,02	53	5,6	530 100	562 650	590 550	632 400	785 850
	COVER	E0496-0430-4	0,04	4	5,6	227 850	241 800	260 400	279 000	344 100
153x98x80/43	2 seater left									
	FC	E1496-0220-2S	0,98	51	7,2	548 700	590 550	637 050	678 900	841 650
	LCV	E1496-0220-4S	0,98	51	7,2	595 200	651 000	688 200	744 000	920 700
	COVER	E0496-0220-4	0,04	4	7,2	260 400	283 650	297 600	325 500	399 900
153x98x80/43	2 seater right									
	FC	E1496-0210-2S	0,98	51	7,2	548 700	590 550	637 050	678 900	841 650
	LCV	E1496-0210-4S	0,98	51	7,2	595 200	651 000	688 200	744 000	920 700
	COVER	E0496-0210-4	0,04	4	7,2	260 400	283 650	297 600	325 500	399 900
130x98x80/43	2 seater without armrests									
	FC	E1496-0230-2S	0,84	44	5,2	413 850	446 400	469 650	511 500	632 400
	LCV	E1496-0230-4S	0,84	44	5,2	446 400	483 600	525 450	558 000	683 550
	COVER	E0496-0230-4	0,04	3	5,2	195 300	204 600	227 850	241 800	297 600
98x98x80/43	corner 90°									
	FC	E1496-1302-2S	0,64	35	4,7	413 850	437 100	460 350	488 250	609 150
	LCV	E1496-1302-4S	0,64	35	4,7	446 400	469 650	506 850	539 400	669 600
	COVER	E0496-1302-4	0,02	3	4,7	195 300	204 600	223 200	232 500	292 950
120x98x80/43	bench left									
	FC	E1496-1310-2S	0,77	32	4,0	413 850	437 100	460 350	483 600	604 500
	LCV	E1496-1310-4S	0,77	32	4,0	446 400	469 650	506 850	534 750	660 300
	COVER	E0496-1310-4	0,02	3	4,0	195 300	204 600	223 200	227 850	288 300

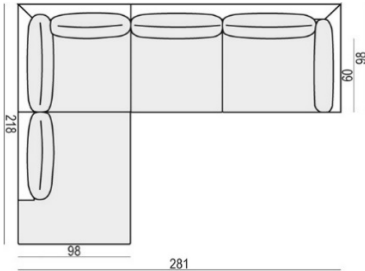


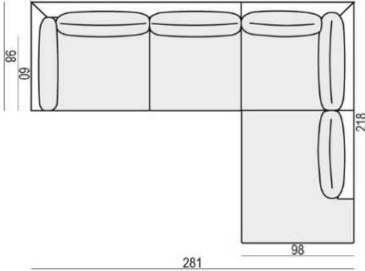
Sales Pricelist 2024

UPHOLSTERY: fabric: FC - fix cover or LCV - loose cover with velcro COMFORT: STD - stand Currency: EUR Valid from: 01.02.2024

DIMENSION*	DESCRIPTION ARTICLE No	VOL.	WEIGHT	FABRIC USAGE	I	II	III	IV	E	
120x98x80/43	bench right									
	FC	E1496-1311-2S	0,77	32	4,0	413 850	437 100	460 350	483 600	604 500
	LCV	E1496-1311-4S	0,77	32	4,0	446 400	469 650	506 850	534 750	660 300
	COVER	E0496-1311-4	0,02	3	4,0	195 300	204 600	223 200	227 850	288 300

suggested sets:

281/218x98x80/43	SET.1 left - 3 seater r. + corner 90° + bench l.									
	FC	E1496-5459-2S	2,58	127	16,8	1 446 150	1 543 800	1 632 150	1 743 750	2 162 250
	LCV	E1496-5459-4S	2,58	127	16,8	1 567 050	1 669 350	1 794 900	1 911 150	2 371 500
	COVER	E0496-5459-4	0,08	11	16,8	683 550	730 050	781 200	823 050	1 023 000

281/218x98x80/43	SET.1 right - 3 seater l. + corner 90° + bench r.									
	FC	E1496-5458-2S	2,58	127	16,8	1 446 150	1 543 800	1 632 150	1 743 750	2 162 250
	LCV	E1496-5458-4S	2,58	127	16,8	1 567 050	1 669 350	1 794 900	1 911 150	2 371 500
	COVER	E0496-5458-4	0,08	11	16,8	683 550	730 050	781 200	823 050	1 023 000

*Explicit +/- 2 cm tolerance of all elements sizes