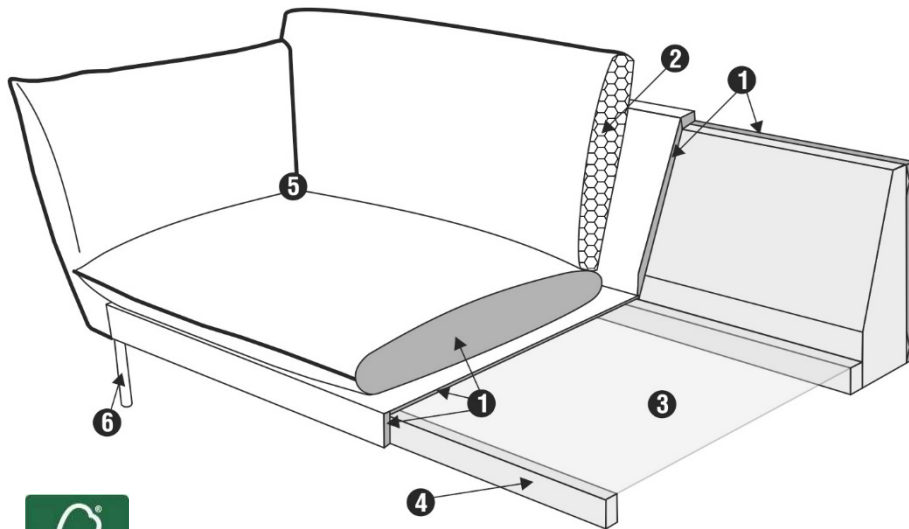




## TECHNICAL SPECIFICATION

### PROFILE

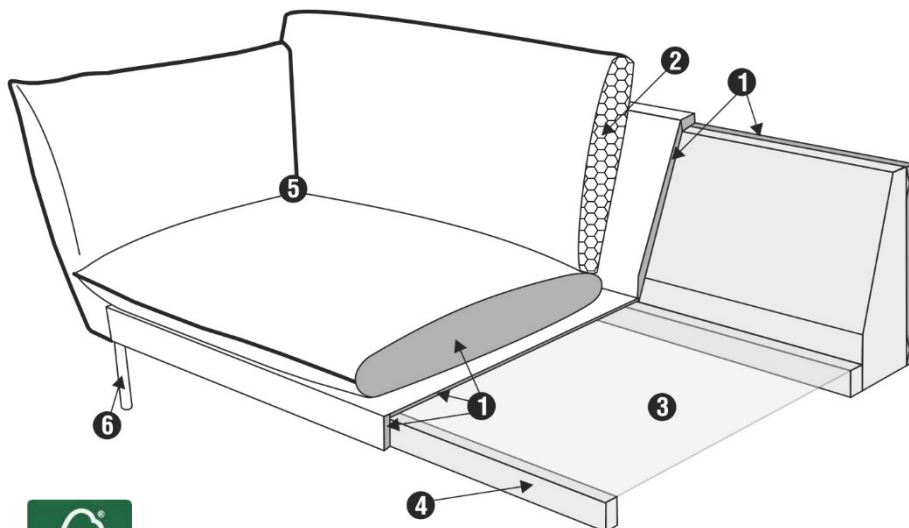
COMFORT: classic



The mark of responsible forestry

1	polyurethane foam/high resilient polyurethane foam (firm)
2	silicone balls
3	dynaflex - elastic fabric
4	FSC® certified solid wood and wood based elements
5	fabric
6	metal legs (black or chrom) or FSC® certified solid wood legs

COMFORT: standard



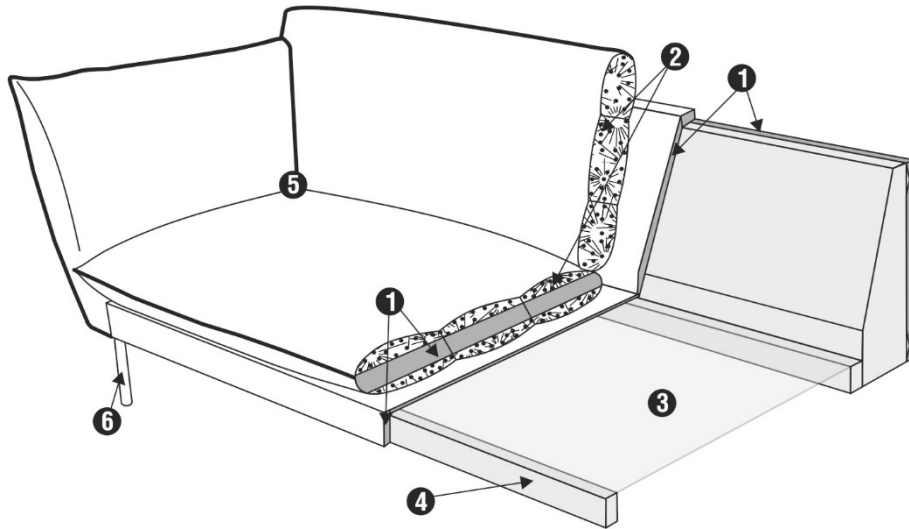
The mark of responsible forestry

1	polyurethane foam/high resilient polyurethane foam
2	silicone balls
3	dynaflex - elastic fabric
4	FSC® certified solid wood and wood based elements
5	fabric
6	metal legs (black or chrom) or FSC® certified solid wood legs

COMFORT: lux



**TECHNICAL SPECIFICATION**



1	polyurethane foam/high resilient polyurethane foam
2	cushion chamber with mix of feather and silicone balls
3	dynaflex - elastic fabric
4	FSC® solid wood and wood based elements
5	fabric
6	FSC® solid wood or metal legs (black, chrome)

The producer reserves the right to change construction of products and components used due to improving durability of product and customer satisfaction without any further notice.

**UPHOLSTERY:**

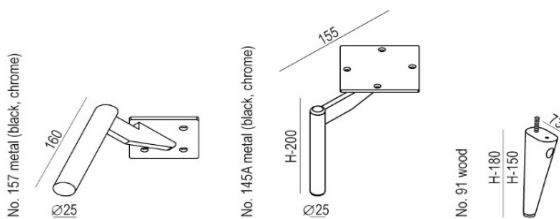
fabric or leather: FC - fix cover, Comfort: STD-standard CLS-classic or lux  
Explicit: +/- 3 cm tolerance between comfort LUX und STD/CLS in heights

**DYNAFLEX**

**EXTREMELY COMFORTABLE**

DYNAFLEX – technologically advanced material used in the seats construction, replaces upholstery belts or springs. Dynaflex is combination of high durability elastomeric yarn by DuPont® and polyester yarn, then the fabric is thermally bonded to achieve high strength.

**FEET**



**COLOURS OF WOODEN FEET**

HUGO

**SITS**  
— comfortable life

cocktail&design



design: Ian Archer

## TECHNICAL SPECIFICATION

oak



bleached  
oak



walnut



black





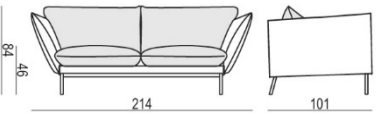
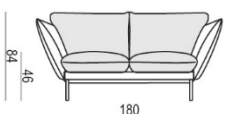
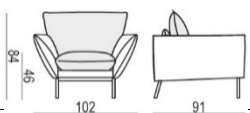
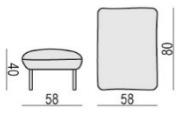
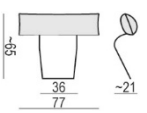
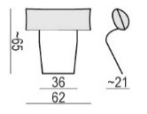

## Sales Pricelist 2025

UPHOLSTERY: fabric: FC - fix cover

COMFORTS: STD-standard, CLS-classic or lux

Currency: HUF

Valid from: 01.01.2024

DIMENSION*	DESCRIPTION ARTICLE No	VOL.	WEIGHT	FABRIC USAGE	I	II	III	IV	E	
<b>214x101x84/46</b> <b>3 seater</b>										
	CLS	E1418-0400-2C	1,34	62	9,2	839 175	914 550	984 900	1 065 300	1 331 625
	STD	E1418-0400-2S	1,34	62	9,2	864 300	934 650	1 020 075	1 105 500	1 386 900
	LUX	E1418-0400-2L	1,34	62	9,2	864 300	934 650	1 020 075	1 105 500	1 386 900
<b>180x101x84/46</b> <b>2 seater</b>										
	CLS	E1418-0200-2C	1,12	53	8,2	753 750	819 075	899 475	944 700	1 190 925
	STD	E1418-0200-2S	1,12	53	8,2	788 925	864 300	924 600	994 950	1 241 175
	LUX	E1418-0200-2L	1,12	53	8,2	788 925	864 300	924 600	994 950	1 241 175
<b>102x91x84/47</b> <b>armchair</b>										
	CLS	E1418-0100-2C	0,49	39	5,1	527 625	582 900	633 150	678 375	839 175
	STD	E1418-0100-2S	0,49	39	5,1	567 825	613 050	653 250	708 525	879 375
	LUX	E1418-0100-2L	0,49	39	5,1	567 825	613 050	653 250	708 525	879 375
<b>58x80x40</b> <b>footstool</b>										
	CLS	E1418-1045-2C	0,19	9	1,0	266 325	281 400	296 475	301 500	376 875
	STD	E1418-1045-2S	0,19	9	1,0	261 300	266 325	281 400	296 475	361 800
	LUX	E1418-1045-2L	0,19	9	1,0	261 300	266 325	281 400	296 475	361 800
<b>77x21x65</b> <b>headrest 21/77 (foam filling)</b>										
	STD/LUX	E1418-2177-4	0,11	2	1,0	60 300	65 325	70 350	75 375	85 425
<b>62x21x65</b> <b>headrest 21/62 (foam filling)</b>										
	STD/LUX	E1418-2162-4	0,09	2	0,9	60 300	65 325	70 350	75 375	85 425
<b>x</b> <b>armrest protection /set of 2</b>										
	STD/LUX	E1418-1900-0	0,01	1	1,0	50 250	60 300	65 325	70 350	95 475
<b>available sets:</b>										
245/160x101x84/46		SET 1 left - 2 seater r. + chaiselongue l.								

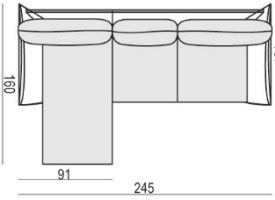


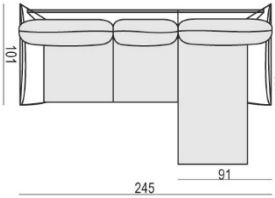
## Sales Pricelist 2025

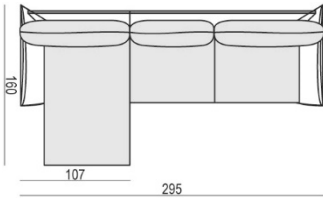
UPHOLSTERY: fabric: FC - fix cover  
COMFORTS: STD-standard, CLS-classic or lux

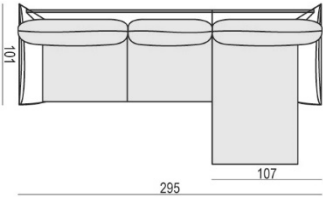
Currency: HUF

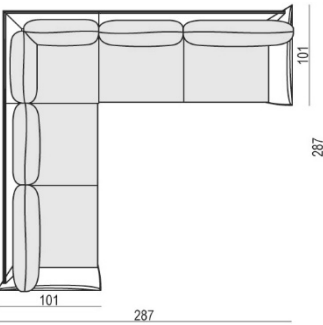
Valid from: 01.01.2024

DIMENSION*	DESCRIPTION ARTICLE No	VOL.	WEIGHT	FABRIC USAGE	I	II	III	IV	E
	CLS <b>E1418-5202-2C</b>	1,86	86	11,7	<b>1 160 775</b>	<b>1 261 275</b>	<b>1 351 725</b>	<b>1 457 250</b>	<b>1 814 025</b>
	STD <b>E1418-5202-2S</b>	1,86	86	11,7	<b>1 251 225</b>	<b>1 341 675</b>	<b>1 442 175</b>	<b>1 537 650</b>	<b>1 924 575</b>
	LUX <b>E1418-5202-2L</b>	1,86	86	11,7	<b>1 251 225</b>	<b>1 341 675</b>	<b>1 442 175</b>	<b>1 537 650</b>	<b>1 924 575</b>

245/160x101x84/46	SET 1 right - 2 seater l. + chaiselongue r.								
	CLS <b>E1418-5201-2C</b>	1,86	86	11,7	<b>1 160 775</b>	<b>1 261 275</b>	<b>1 351 725</b>	<b>1 457 250</b>	<b>1 814 025</b>
	STD <b>E1418-5201-2S</b>	1,86	86	11,7	<b>1 251 225</b>	<b>1 341 675</b>	<b>1 442 175</b>	<b>1 537 650</b>	<b>1 924 575</b>
	LUX <b>E1418-5201-2L</b>	1,86	86	11,7	<b>1 251 225</b>	<b>1 341 675</b>	<b>1 442 175</b>	<b>1 537 650</b>	<b>1 924 575</b>

295/160x101x84/46	SET 2 left - 3 seater r. + chaiselongue wide l.								
	CLS <b>E1418-5406-2C</b>	2,27	99	13,7	<b>1 266 300</b>	<b>1 386 900</b>	<b>1 497 450</b>	<b>1 613 025</b>	<b>2 020 050</b>
	STD <b>E1418-5406-2S</b>	2,27	99	13,7	<b>1 326 600</b>	<b>1 442 175</b>	<b>1 552 725</b>	<b>1 678 350</b>	<b>2 095 425</b>
	LUX <b>E1418-5406-2L</b>	2,27	99	13,7	<b>1 326 600</b>	<b>1 442 175</b>	<b>1 552 725</b>	<b>1 678 350</b>	<b>2 095 425</b>

295/160x101x84/46	SET 2 right - 3 seater l. + chaiselongue wide r.								
	CLS <b>E1418-5405-2C</b>	2,27	99	13,7	<b>1 266 300</b>	<b>1 386 900</b>	<b>1 497 450</b>	<b>1 613 025</b>	<b>2 020 050</b>
	STD <b>E1418-5405-2S</b>	2,27	99	13,7	<b>1 326 600</b>	<b>1 442 175</b>	<b>1 552 725</b>	<b>1 678 350</b>	<b>2 095 425</b>
	LUX <b>E1418-5405-2L</b>	2,27	99	13,7	<b>1 326 600</b>	<b>1 442 175</b>	<b>1 552 725</b>	<b>1 678 350</b>	<b>2 095 425</b>

287/287x101x84/46	SET 3 - 3 seater l. + corner 90° + 3 seater r.								
	CLS <b>E1418-5440-2C</b>	2,88	142	20,6	<b>1 829 100</b>	<b>1 994 925</b>	<b>2 165 775</b>	<b>2 346 675</b>	<b>2 914 500</b>
	STD <b>E1418-5440-2S</b>	2,88	142	20,6	<b>1 919 550</b>	<b>2 095 425</b>	<b>2 271 300</b>	<b>2 452 200</b>	<b>3 060 225</b>
	LUX <b>E1418-5440-2L</b>	2,88	142	20,6	<b>1 919 550</b>	<b>2 095 425</b>	<b>2 271 300</b>	<b>2 452 200</b>	<b>3 060 225</b>

287/253x101x84/46	SET 4 left - 3 seater r. + corner 90° + 2 seater l.								
-------------------	---	--	--	--	--	--	--	--	--



## Sales Pricelist 2025

UPHOLSTERY: fabric: FC - fix cover

COMFORTS: STD-standard, CLS-classic or lux

Currency: HUF

Valid from: 01.01.2024

DIMENSION*		DESCRIPTION ARTICLE No	VOL.	WEIGHT	FABRIC USAGE	I	II	III	IV	E
	CLS	E1418-5242-2C	2,67	134	19,5	1 743 675	1 919 550	2 065 275	2 241 150	2 783 850
	STD	E1418-5242-2S	2,67	134	19,5	1 844 175	2 025 075	2 185 875	2 366 775	2 944 650
	LUX	E1418-5242-2L	2,67	134	19,5	1 844 175	2 025 075	2 185 875	2 366 775	2 944 650

287/253x101x84/46

**SET 4 right - 3 seater l. + corner 90° + 2 seater r.**

	CLS	E1418-5441-2C	2,67	134	19,5	1 743 675	1 919 550	2 065 275	2 241 150	2 783 850
	STD	E1418-5441-2S	2,67	134	19,5	1 844 175	2 025 075	2 185 875	2 366 775	2 944 650
	LUX	E1418-5441-2L	2,67	134	19,5	1 844 175	2 025 075	2 185 875	2 366 775	2 944 650

253/253x101x84/46

**SET 5 - 2 seater l. + corner 90° + 2 seater r.**

	CLS	E1418-5240-2C	2,46	126	18,4	1 738 650	1 899 450	2 060 250	2 236 125	2 773 800
	STD	E1418-5240-2S	2,46	126	18,4	1 819 050	1 994 925	2 160 750	2 321 550	2 914 500
	LUX	E1418-5240-2L	2,46	126	18,4	1 819 050	1 994 925	2 160 750	2 321 550	2 914 500

\*Explicit +/- 2 cm tolerance of all elements sizes

Załączone ceny rekomendowane mają charakter sugerowanych cen sprzedaży. Kupujący nie jest związany cenami rekomendowanymi.